

## PERFECTION GEAR • WT SERIES WORM WINCH DRIVES

PERFECTION GEAR'S WT Series Worm Winches are hydraulically driven winch drives. These rugged, high quality products are commonly used on crane and utility trucks applications, but could be used in any application where speed reduction is required.

### Key Features

- Hydraulic Motor Input Standard and Optional Electric motor Inputs Available
- Standard/Customized Drum Shafts Options
- Many Standard Options, include Brake, Manifold, Valves and Motors
- Solid Bronze Gears
- Hardened Steel Worm and High Strength Steel Drum Shaft
- Available With/Without Drum, Standard and Custom Drums
- Also Available:
  - Tapered Roller Bearings On Worm
  - Optional Electric Motor Driven Swing Drives

### Technical Information

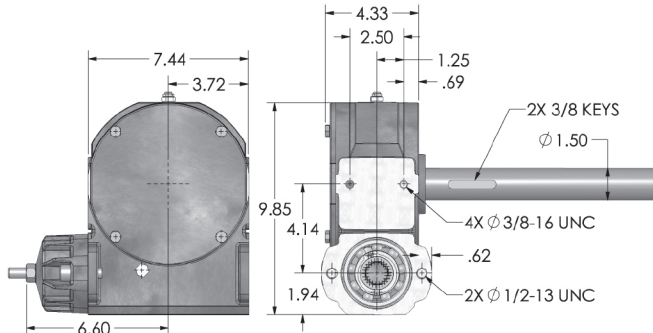
Size	2.06" to 5.38" Center Distance
Ratio	15:1 to 42:1 or Per Customer Specification
Output Torque (in-lbs)	4,100 to 72,000 (at shaft not drum diameter)
Output Pinion Shaft	1.25" to 2.50" or Per Customer Specification
Input Option	Mini Motor with 5/8" Shaft or SAE "A" Mount with 2 Bolt, Keyed or Splined
Other Specifications	Winch Drums to Customer Specification Spring Applied Drag Brake
Applications	Cranes, Boom Trucks, Utility Trucks



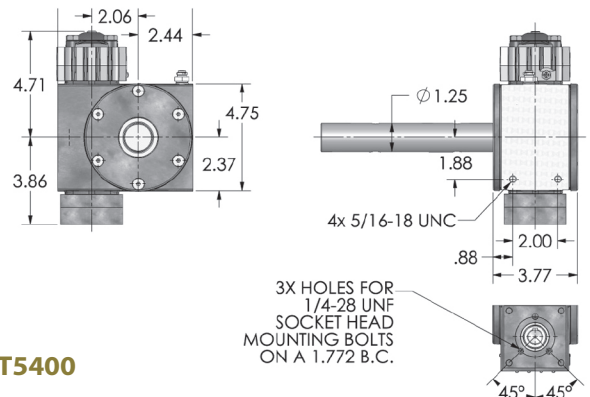
PERFECTION GEAR has a solid reputation of building exceptionally tough aerial worm winch products that can stand up to harsh outdoor conditions and high loads that are common to crane usage and boom type work vehicles.

# PERFECTION GEAR • WT SERIES WORM WINCH DRIVES

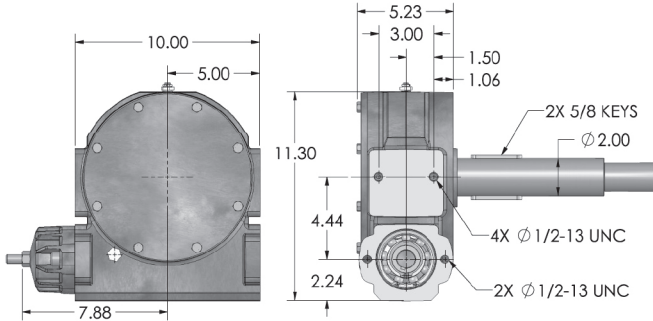
**WT4100**



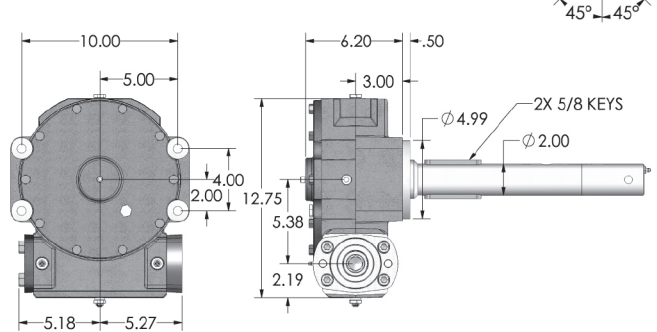
**WT2100**



**WT4400**



**WT5400**



Model Series	Center Distance	Ratio	Rating	Weight	Shaft Diameter	Brake	Hydraulic Motor Mount
WT2100	2.06	30:1 or to Customer Specification	4,100	23#	1.25" max.	Spring Applied Drag	Mini Motor with 5/8" keyed shaft
WT4100	4.14	15:1, 18.5:1, 38:1 or to Customer Specification	18,700 17,700 19,800	46#	1.50" max.	Spring Applied Drag	SAE "A" Mount, 2 Bolt, Keyed or Splined Shaft
WT4400	4.44	42:1 or to Customer Specification	30000	52#	2.00" max.	Spring Applied Drag	SAE "A" Mount, 2 Bolt, Keyed or Splined Shaft
WT5400	5.38	33:1, 36:1 or to Customer Specification	72,000 50,000	115#	2.50" max.	Optional Spring Applied Drag	SAE "A" Mount, 2 Bolt, Keyed or Splined Shaft

HBD Industries Inc. and its subsidiaries cannot accept responsibility for possible errors in catalogues, brochures, other printed materials, and website information, and may change, delete, add to or otherwise modify such information without notice. HBD reserves the right to alter its products without notice, including products already on order, provided that such alteration can be made without changes being necessary in specifications already agreed to. All trademarks in this material are the property of the HBD Industries Inc., or its subsidiaries. The HBD and HBD brands logotype, are trademarks of HBD Industries Inc. All rights reserved.

DISTRIBUTED BY:

HBD/WINSMITH, INC.  
172 EATON STREET  
SPRINGVILLE, NY  
14141-1197 USA  
TEL: 1 (716) 592-9310  
TEL: 1 (716) 592-9546  
www.winsmith.com