

PERFECTION GEAR • PT6500 PLANETARY SPEED REDUCER

The PT6500 Planetary Speed Reducer is a hydraulically driven swing drive with an internal brake. Due to the rugged construction of this swing drive it is able to withstand the high shock loads and overhung loads that are common to crane usage.

Key Features

- This unit is used as a rotation device for cranes, but could be used in any application where a high efficiency planetary is needed..
- Output Pinion: Per Customer Specification
- Brake Pressure: 3000 PSI
- Maximum Release Pressure: Per Customer Specifications
- Eccentric Ring: Optional

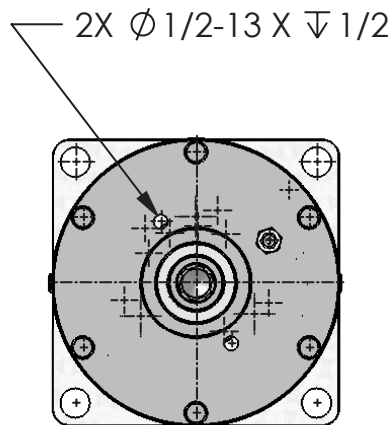
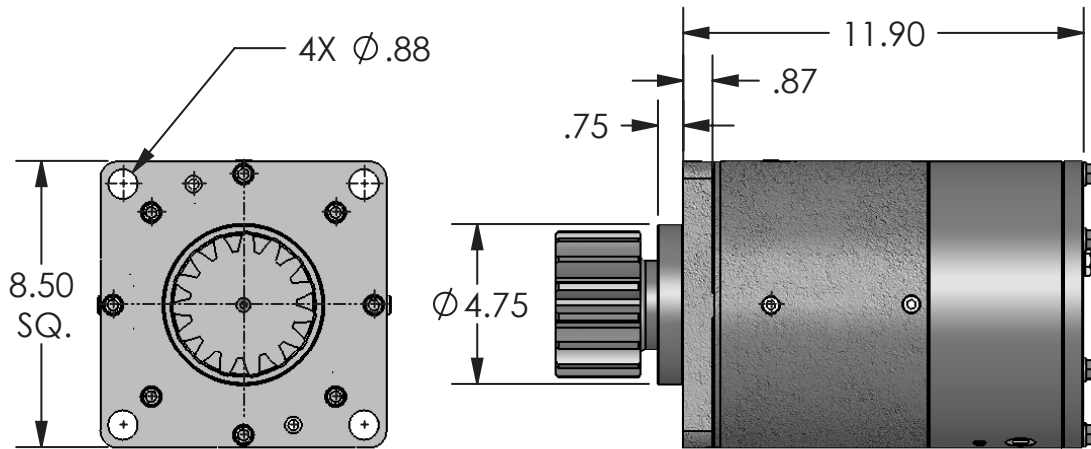
Technical Information

Speed Reducer:	Single Reduction High Efficiency Planetary Gearing with Parking Brake
Ratio:	6.5:1, Or to Customer Specification
Rating:	Output Torque Capacity 25,500 in-lbs. Output Yield 120,000 in-lbs.
Brake:	Spring Applied and Hydraulic Released Parking Brake Brake Yield up to 5,000 in-lbs.
Output Pinion:	To Customer Specification
Brake Pressure:	3000 PSI Maximum Release Pressure per Customer Specifications
Eccentric Ring:	Optional
Hydraulic Motor Mount:	SAE "A" Mount, 2 bolt, Keyed or Splined shaft



PERFECTION GEAR has a solid reputation of building exceptionally tough aerial worm winch products that can stand up to harsh outdoor conditions and high loads that are common to crane usage and boom type work vehicles.

PERFECTION GEAR • PT6500 PLANETARY SPEED REDUCER



HBD Industries Inc. and its subsidiaries cannot accept responsibility for possible errors in catalogues, brochures, other printed materials, and website information, and may change, delete, add to or otherwise modify such information without notice. HBD reserves the right to alter its products without notice, including products already on order, provided that such alteration can be made without changes being necessary in specifications already agreed to. All trademarks in this material are the property of the HBD Industries Inc., or its subsidiaries. The HBD and HBD brands logotype, are trademarks of HBD Industries Inc. All rights reserved.

DISTRIBUTED BY:

HBD/WINSMITH, INC.
 172 EATON STREET
 SPRINGVILLE, NY
 14141-1197 USA
 TEL: 1 (716) 592-9310
 TEL: 1 (716) 592-9546
 www.winsmith.com