



PERFECTION GEAR • SD SERIES SWING DRIVES

The SD swing drive incorporates a slewing ring bearing in the drive system housing, providing ease of assembly and minimizes interface surface machining. Pre-set backlash in these swing drives eliminates the adjustment error that occurs during assembly of other rotation drives and slew rings. The SD provides a cost effective solution to rotational application requirements.

Key Features

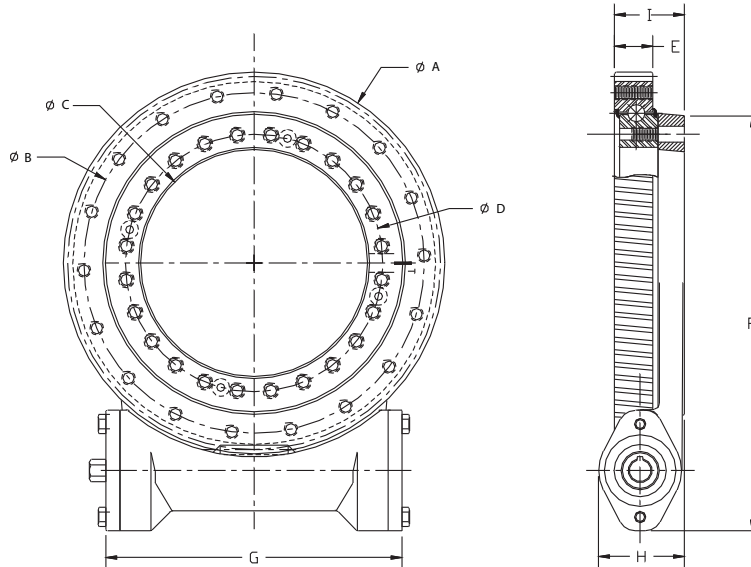
- Rugged construction, able to withstand high shock loads and overturning moments that are common to crane usage
- Motor can be mounted at either end

Technical Information

Size	5.30" to 11.00" Center Distance (Worm to Slewing Ring)
Ratio	61:1 to 103:1
Output Torque (in-lbs)	7,300 to 39,390 Capacity
Slewing Ring Bearing (Outside Diameter)	9" to 20" Additional Sizes Per Customer Specification
Overturning Moment (ft-lbs)	10,000 to 90,000
Input Option	SAE "A" Mount; 2 Bolt, Keyed or Splined Or Per Customer Specification
Other Specifications	Worm Gear Primary Gearbox with Electric Motor Input



Due to the solid construction of our swing drives, they can withstand the high shock loads and overturning moments that are common to crane usage. Our unique design eliminates the problem of backdriving.



SPECIFICATIONS

MODEL		SD5300	SD6900	SD9300	SD1100
Ratio		73:1	60:1	85:1	103:1
BEARING INFORMATION					
Outside Dia.	A	9.402"	12.465"	17.218"	20.781"
Normal Pitch		8 D.P.	5 Mod.	5 Mod.	5 Mod.
Pressure Angle		14° 30'	14° 30'	14° 30'	14° 30'
Inside Dia.	B	4.000"	5.709"	10.433"	12.750"
Inside Bolt Circle	C	4.750"	6.890"	11.614"	14.375"
No. of Holes		10	16	24	20
Outside Bolt Circle	D	8.083"	10.630"	15.354"	18.874"
No. of Holes		8	16	18	20
Overall Height	E	1.929"	1.969"	1.969"	2.126"
Helix Angle		6°	6°	6°	6°
Hand of Cut		Right	Right	Right	Right
Bolt Hole Configuration		3/8-16 Blind	5/8-11 Thru	5/8-11 Thru	5/8-11 Blind
ASSEMBLY INFORMATION					
Housing Length	F	10.13"	14.19"	18.81"	22.25"
Housing Width	G	8.00"	12.00"	13.36"	15.26"
Housing Height	H	3.26"	3.94"	3.88"	4.38"
Mounting Height	I	2.959"	3.031"	3.150"	4.013"

• Dimensions shown on other side

• Motor can be mounted on either end

HBD Industries Inc. and its subsidiaries cannot accept responsibility for possible errors in catalogues, brochures, other printed materials, and website information, and may change, delete, add to or otherwise modify such information without notice. HBD reserves the right to alter its products without notice, including products already on order, provided that such alteration can be made without changes being necessary in specifications already agreed to. All trademarks in this material are the property of the HBD Industries Inc., or its subsidiaries. The HBD and HBD brands logotype, are trademarks of HBD Industries Inc. All rights reserved.

DISTRIBUTED BY:

HBD/WINSMITH, INC.
 172 EATON STREET
 SPRINGVILLE, NY
 14141-1197 USA
 TEL: 1 (716) 592-9310
 TEL: 1 (716) 592-9546
 www.winsmith.com