

PERFECTION GEAR, INC.

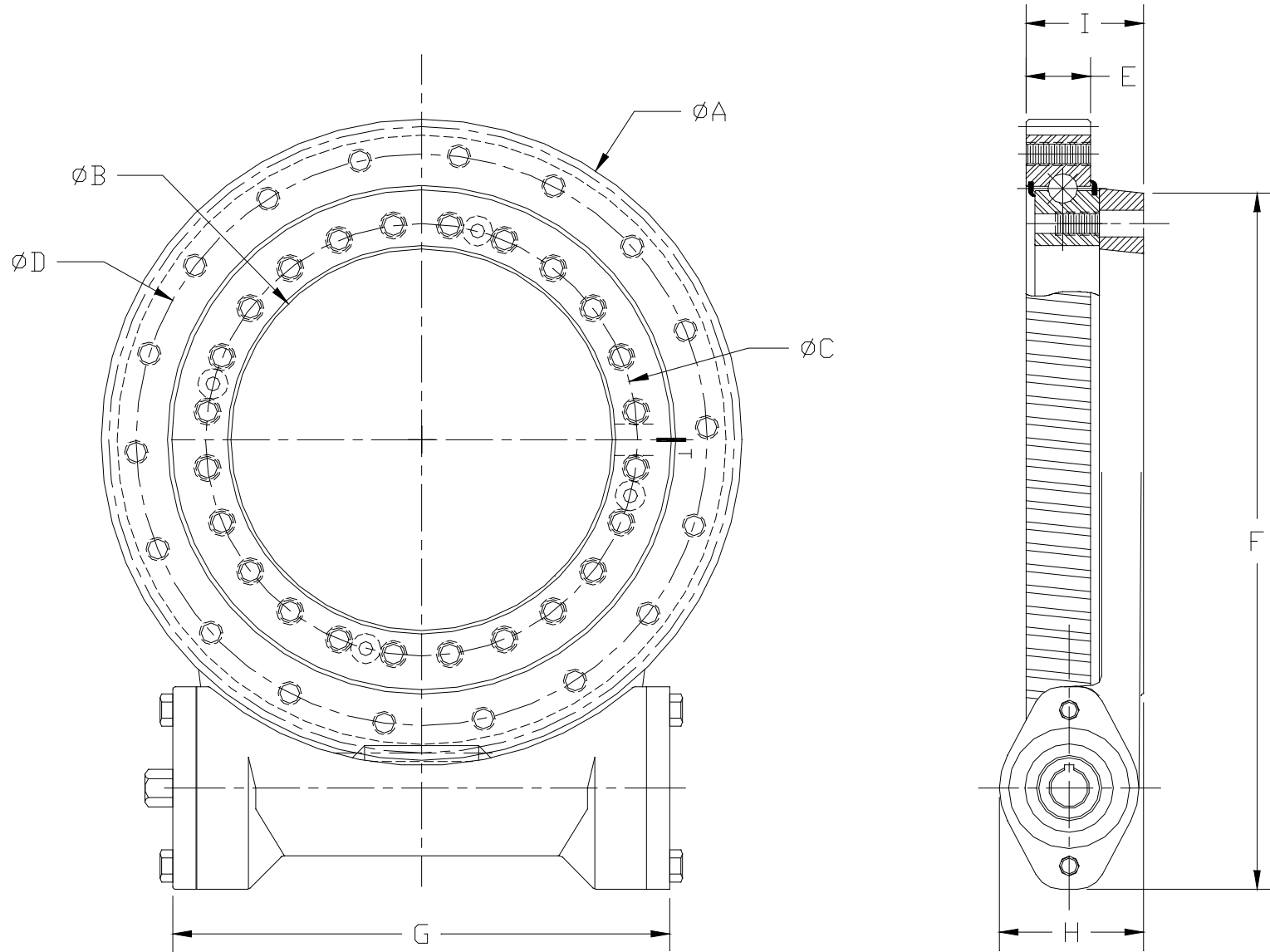
Swing Drive

Perfection Gear, Inc. has a complete line of hydraulically driven swing drives. These units are used as rotation devices for cranes and manlifts, but can be used in any application where a speed reduction is needed. Due to the rugged construction of this swing drive it is able to withstand the high shock loads and overturning moments that are common to crane usage.

Model		SD5300	SD6900	SD9300	SD1100
Ratio		73:1	60:1	85:1	103:1
Bearing Information					
Outside Dia.	A	9.402"	12.465"	17.218"	20.781"
Normal Pitch		8 D.P.	5 Mod.	5 Mod.	5 Mod.
Pressure Angle		14° 30'	14° 30'	14° 30'	14° 30'
Inside Dia.	B	4.000"	5.709"	10.433"	12.750"
Inside Bolt Circle	C	4.750"	6.890"	11.614"	14.375"
No. of Holes		10	16	24	20
Outside Bolt Circle	D	8.083"	10.630"	15.354"	18.874"
No. of Holes		8	16	18	20
Overall Height	E	1.929"	1.969"	1.969"	2.126"
Helix Angle		6°	6°	6°	6°
Hand of Cut		Right	Right	Right	Right
Bolt Hole Configuration		3/8-16 Blind	5/8-11 Thru	5/8-11 Thru	5/8-11 Blind
Assembly Information					
Housing Length	F	10.13"	14.19"	18.81"	22.25"
Housing Width	G	8.00"	12.00"	13.36"	15.26"
Housing Height	H	3.26"	3.94"	3.88"	4.38"
Mounting Height	I	2.959"	3.031"	3.150"	4.013"

- Dimensions shown on other side
- Motor can be mounted on either end

SWING DRIVES



PERFECTION GEAR, INC.

• 9 N. Bear Creek Rd • Asheville, NC 28806 • (P) 828-253-0000 (F) 828-253-2649 •

• web address: www.perfectiongear.com •